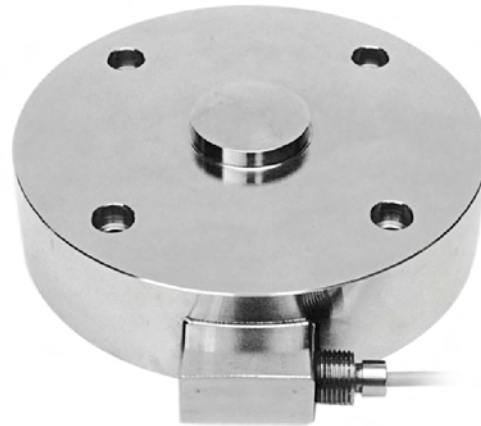




Manufactured according to OIML R60 standards

Capacity from 200000 kg to 750000 kg



- 17-4 PH STAINLESS STEEL
- COMBINED ERROR $\leq \pm 0.10\%$
- PROTECTION CLASS IP68

| CAPACITY | kg | NET WEIGHT (kg) | CODE |
|----------|----|-----------------|------------|
| 200000 | | 20 | CBLS200000 |
| 300000 | | 42 | CBLS300000 |
| 500000 | | 60 | CBLS500000 |
| 750000 | | 60 | CBLS750000 |

CERTIFICATIONS

- EAC** Complies with the Eurasian Customs Union standards
- UK CA** Equivalent of the CE marking for the United Kingdom

CERTIFICATIONS ON REQUEST

- ✓ Accredia traceable calibration report
- Ex** ATEX II 1GD (zone 0-1-2-20-21-22) (CE - UK CA)
- IECEX** IECEX (zone 0-1-2-20-21-22)
- EAC Ex** Complies with the Eurasian Customs Union standards for use in potentially explosive atmospheres

OPTIONS ON REQUEST

DESCRIPTION



Two redundant strain gauges Wheatstone bridges (350 Ω) with two output cables; for dual safety systems

COMPLEMENTARY ACCESSORIES

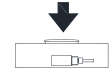
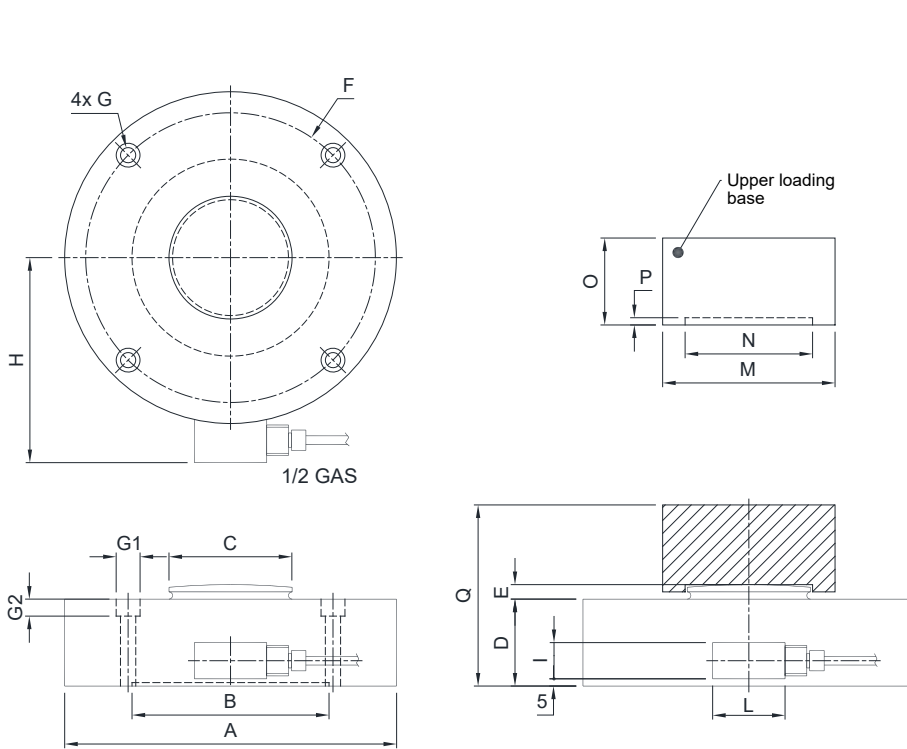
DESCRIPTION

CODE



| DESCRIPTION | Dimensions: | Maximum static load: | CODE |
|---------------------|-------------------------------|----------------------|------------|
| Upper loading base. | $\varnothing 119$ mm; h=60 mm | 200000 kg | BOTTONE200 |
| | $\varnothing 198$ mm; h=60 mm | 300000 kg | BOTTONE |
| | $\varnothing 198$ mm; h=89 mm | 500000 - 750000 kg | BOTTONE750 |

DIMENSIONS (mm)



| | 200t | 300t | 500-750t |
|--------|--------|-------|----------|
| A | Ø229 | Ø299 | Ø299 |
| B | Ø136.5 | Ø228 | Ø230 |
| C | Ø87 | Ø155 | Ø155 |
| D | 60 | 73 | 106 |
| E | 10 | 12 | 14 |
| F | Ø200 | Ø260 | Ø260 |
| G | Ø10.5 | Ø12.5 | Ø12.5 |
| G1 | Ø16.5 | Ø18.5 | Ø18.5 |
| G2 | 10.5 | 12.5 | 12.5 |
| H | 142±1 | 180±2 | 180±2 |
| I | 30 | 25 | 25 |
| L | 60 | 50 | 50 |
| weight | 20kg | 42kg | 60kg |

| | 200t | 300t | 500-750t |
|---|------|------|----------|
| M | Ø119 | Ø198 | Ø198 |
| N | Ø88 | Ø156 | Ø158 |
| O | 60 | 60 | 89 |
| P | 5 | 5 | 9 |
| Q | 125 | 140 | 200 |

TECHNICAL FEATURES

| | | | |
|-------------------------------------|--------------------------------------|-------------------------------------|-----------|
| Material | 17-4 PH stainless steel | | |
| Nominal load (E max) | 200000 - 300000 - 500000 - 750000 kg | | |
| Combined error | ≤ ±0.10% | | |
| Protection class | IP68 | | |
| Rated output | 2 mV/V ±0.1% | Input resistance | 700 Ω ±20 |
| Temperature effect on zero | 0.005% °C | Output resistance | 700 Ω ±5 |
| Temperature effect on span | 0.005% °C | Zero balance | ±1% |
| Compensated temperature range | -20 °C / +70 °C | Insulation resistance | >5000 MΩ |
| Operating temperature range | -30 °C / +90 °C | Safe overload (% of full scale) | 150% |
| Creep at nominal load in 30 minutes | 0.03% | Ultimate overload (% of full scale) | 300% |
| Max supply voltage without damage | 15 V | Deflection at nominal load | 0.4 mm |

ELECTRICAL CONNECTIONS

| | |
|----------------|--------------------------|
| Cable length | 10 m |
| Cable diameter | 5 mm |
| Cores | 6 x 0.14 mm ² |

