

V15000/100000

MOUNTING KIT for COMPRESSION-LOW PROFILE load cells

LAUMAS®

Series load cells: **CBL - CBX**

Up to 100000 kg application range

DESCRIPTION

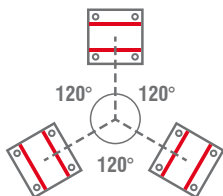
- AISI 304 stainless steel upper and lower plates.
- AISI 304 stainless steel laminas against lateral forces.
- Anti-tilt constraint consisting of two threaded rods with self-locking nut.



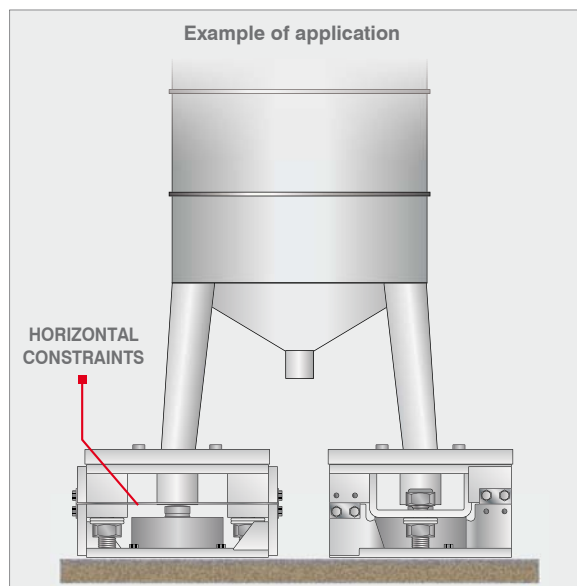
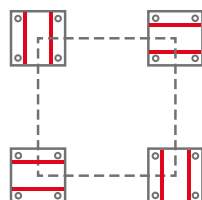
MAX STATIC LOAD kg	FOR LOAD CELLS	NET WEIGHT (kg)	CODE
30000	CBL (15000 kg) - CBX (30000 kg)	9	V15000
50000	CBL (30000 kg) - CBX (50000 kg)	17.5	V30000
100000	CBL (50000 kg) - CBL (100000 kg)	33.5	V100000

Load cell not included.

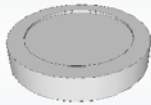


HORIZONTAL CONSTRAINTS
ORIENTATION
IN STRUCTURES WITH
3-POINTS SUPPORT



HORIZONTAL CONSTRAINTS
ORIENTATION
IN STRUCTURES WITH
4-POINTS SUPPORT



COMPLEMENTARY ACCESSORIES

	DESCRIPTION	CODE
	AISI 304 stainless steel adapter: V15000 for load cells: Ø82 mm V30000 for load cells: Ø100 mm V100000 for load cells: Ø126 mm	ADAT100CBX15T ADAT126CBX30T ADAT165CBX50T
	Galvanized steel turnbuckle with dual ball-and-socket. Net weight: 2.10 kg Working load: 2500 kg Ultimate overload: 10000 kg	TENDITORE300
	Galvanized steel anchor plate for TENDITORE300 Net weight: 1.5 kg	PTEND

Rev. 0.0

V15000/100000

MOUNTING KIT for COMPRESSION-LOW PROFILE load cells

DIMENSIONS AND TECHNICAL SPECIFICATIONS

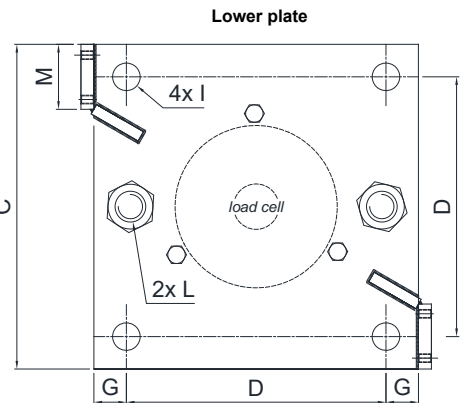
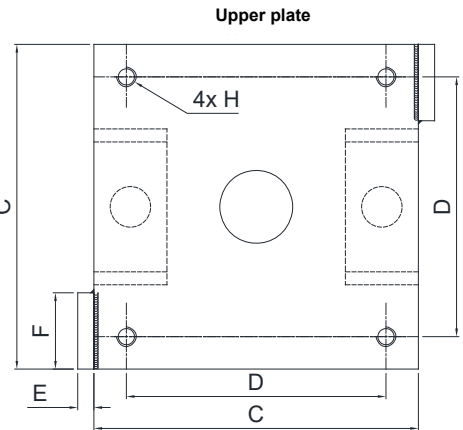
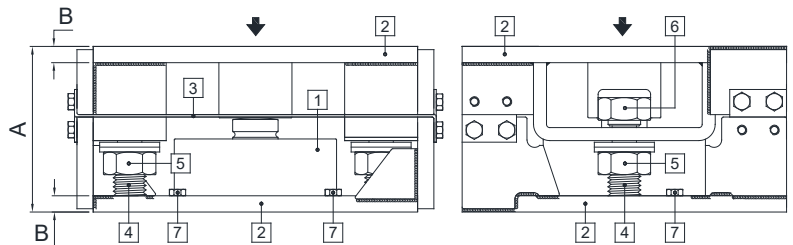
Upper and lower plates [2] must rest completely on not deformable surfaces. To ensure the stability of the structure, the system designer must predict any further precaution against side shifts and anti-tilt in function of: knocks and vibrations, wind effect, seismic conditions and hardness of support structure.

- Install the weighed system using only the mounting kit without the load cell [1] and inserting in its place a piece of pipe (1-2 mm higher than the load cell).
- To finish the installation (weldings, etc..), remove the piece of pipe and then removing the bolts to fix the the load cell [7] insert the load cell [1] in mounting kit.
- Connect lower and upper plates [2] to the earthing system then loosen nuts [5] ; verify that the threaded rod [4] slides into the hole; turn anti-tilt nuts [6] to a distance of 1 mm from plate.
- Tighten the three bolts to fix the load cell [7].

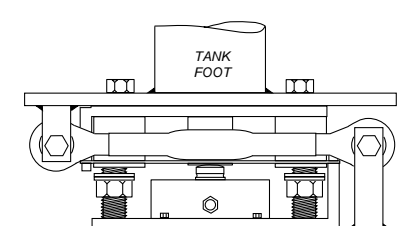
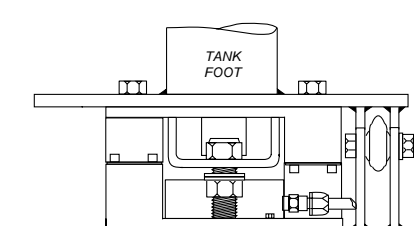
	A	B	C	D	E	F	G	H	I	L	M	Weight
V15000	102	10	200	160	10	47	20	M12x1.75	Ø17	M20x2.5	40	9 kg
V30000	132	12	250	185	12	70	32.5	M18x2.5	Ø20	M24x3	60	17 kg
V100000	155	15	320	250	15	95	35	M20x2.5	Ø23	M30x3.5	70	34 kg

Dimensions (mm)

- [1] Load cell.
- [2] AISI 304 stainless steel upper and lower plates.
- [3] AISI 304 stainless steel laminas with horizontal constraint function.
- [4] Threaded rod.
- [5] Nut to be used as jack.
- [6] Anti-tilt self-locking nut.
- [7] M6 bolts to fix the load cell.

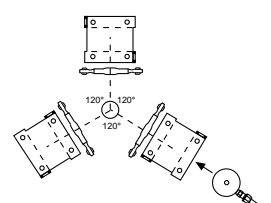


Application example:
how to make further horizontal constraints with the TENDITORE300 accessory

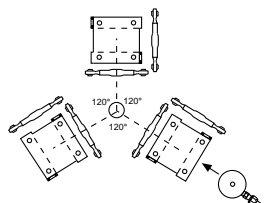



STRUCTURE WITH 3-POINTS SUPPORT

1 CONSTRAINT FOR SUPPORT

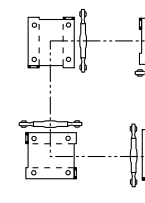


2 CONSTRAINTS FOR SUPPORT

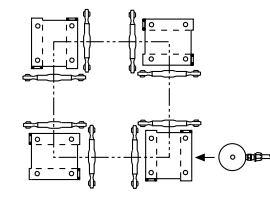


STRUCTURE WITH 4-POINTS SUPPORT

1 CONSTRAINT FOR SUPPORT



2 CONSTRAINTS FOR SUPPORT



CONSTRAINTS PLACEMENT ON 3/4 SUPPORTS:
the horizontal constraints can be positioned both on supports and on the four sides, centrally between two supports.

