

K1-M26

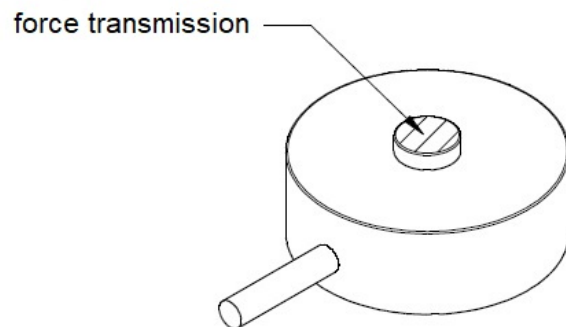
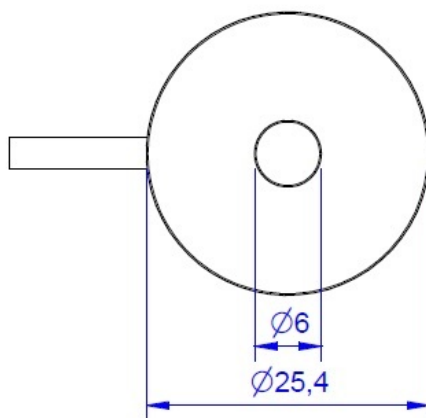
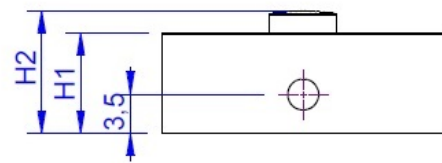
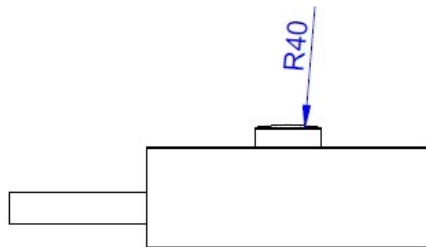
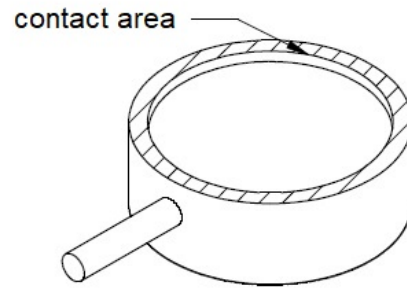
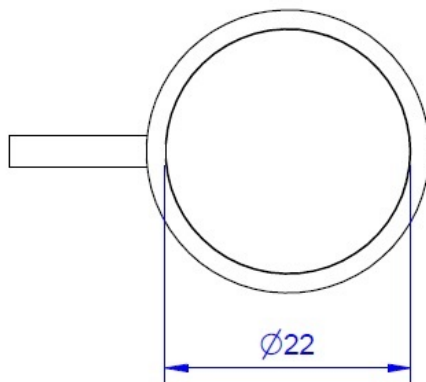
compression force sensor



Measurement ranges:

100N, 200N, 500N, 1kN, 2kN, 5kN, 10kN

Dimensions:



nom. load	height (H1) in mm	height (H2) in mm
0,1kN	9	11
0,2kN	9	11
0,5kN	9	11
1kN	9	11
2kN	9	11
5kN	11	13
10kN	11	13

Technical Data:

Electrical Data

Input resistance	390	Ohm
Tolerance input resistance	40	±
Output resistance	350	Ohm
Insulation resistance	2x10 ⁹	Ohm
Rated range of excitation voltage f	2.5 ... 5	V
Operating range of excitation voltage f	1 ... 10	V
Zero signal	0.05	mV/V
Rated output	1	mV/V / FS

Precision

Accuracy class	1%
Relative linearity error	0.1 %FS
Relative zero signal hysteresis	0.05 %FS
Temperature effect on zero signal	0.02 %FS/K
Temperature effect on characteristic value	0.02 %RD/K
Relative creep	0.1 %FS

Connection Data

Connection type	4 conductor open
Name of the connection	STC-31V-4
Cable length	3 m

Temperature

Rated temperature range f	-10 ... 70 °C
Operating temperature range f	-10 ... 85 °C
Storage temperature range f	-10 ... 85 °C
Environmental protection	IP67

Pin configuration:

Symbol	Description	Wire colour
+Us	positive bridge supply	red
-Us	negative bridge supply	black
+Ud	positive bridge output	green
-Ud	negative bridge output	white

Pressure load : positive output signal