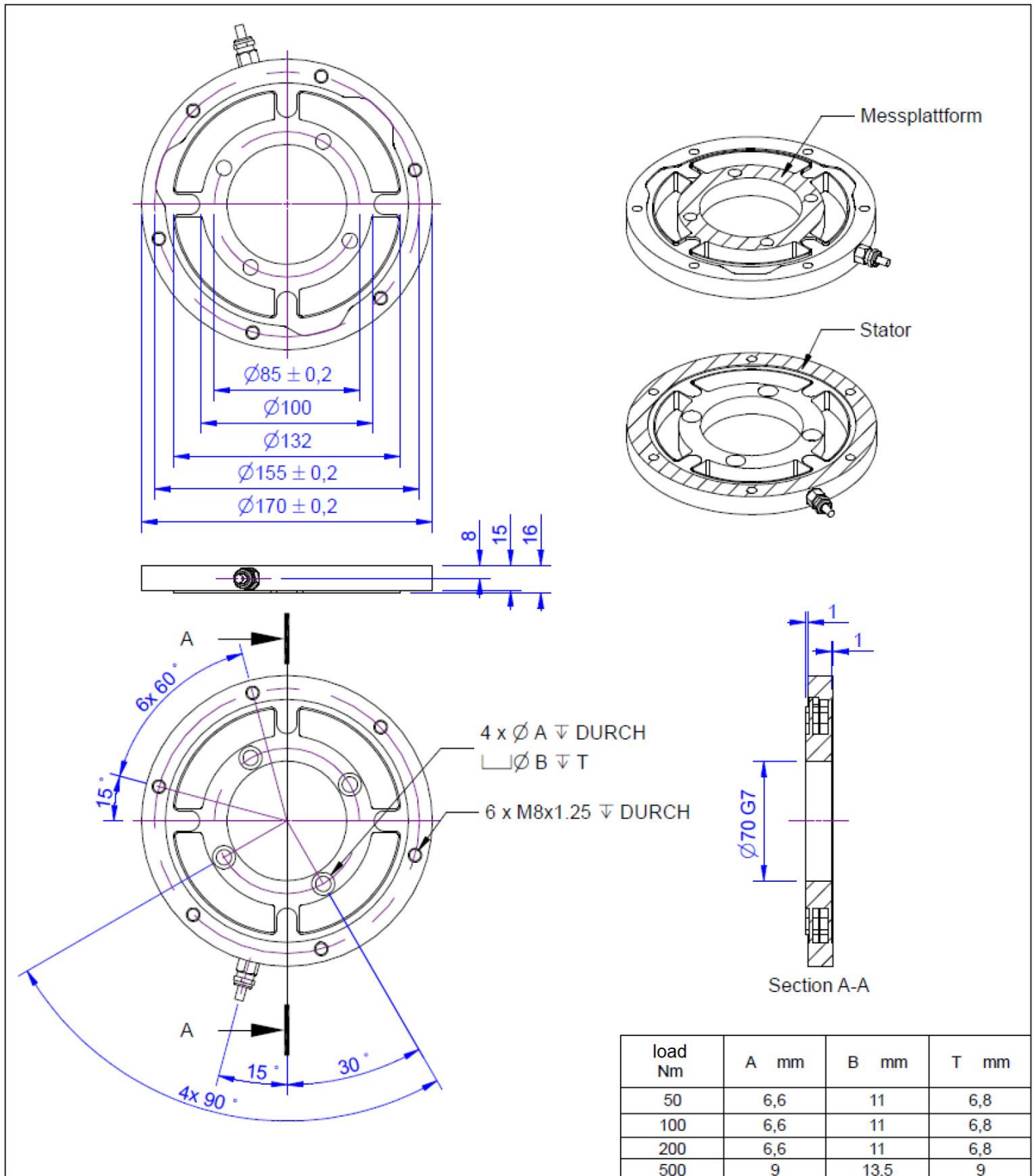


T1-S17

KÜLLŐS ÁLLÓ NYOMATÉKMÉRŐ

méréstartományok: 50, 100, 200, 500 Nm



Technical Data

Electrical Data

Input resistance	700 Ohm
Tolerance input resistance	10 ±
Output resistance	700 Ohm
Tolerance output resistance	10 ±
Insulation resistance	5x10 ⁹ Ohm
Rated range of excitation voltage f	2.5 ... 5 V
Operating range of excitation voltage f	1 ... 10 V
Zero signal	0.05 mV/V
Rated output	1 mV/V / FS

Precision

Accuracy class	0,1%
Relative linearity error	0.1 %FS
Relative zero signal hysteresis	0.1 %FS
Temperature effect on zero signal	0.1 %FS/K
Temperature effect on characteristic value	0.1 %RD/K
Relative creep	0.05 %FS

Connection Data

Name of the connection	24-4 PUR
Cable length	5 m

Temperature

Rated temperature range f	-20 ... 60 °C
Operating temperature range f	-20 ... 70 °C
Storage temperature range f	-20 ... 70 °C
Environmental protection	IP65

Basis Data

Type	shear beam				
Rated torque	50	100	200	500	Nm
Bending moment limit					50 Nm
Maximum operating torque					150 %FS
Breaking torque					400 %FS
Rated torsion angle					0.03 °/FS
Axial force limit					1000 N
Lateral force limit					1000 N
Torque introduction	pitch circle				
Dimension 1					Ø85
Dimension 2					Ø155
Diameter					170 mm
length					16 mm
Material	Aluminium alloy				

Pin Configuration

Symbol	Description	Wire colour
+Us	positive bridge supply	brown
-Us	negative bridge supply	white
+Ud	positive bridge output	green
-Ud	negative bridge output	yellow

Screen - transparent.