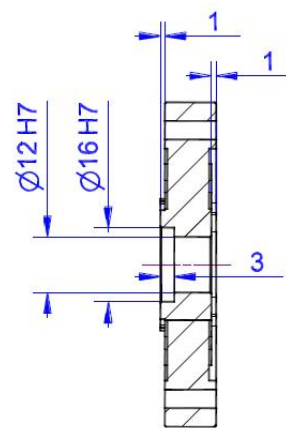
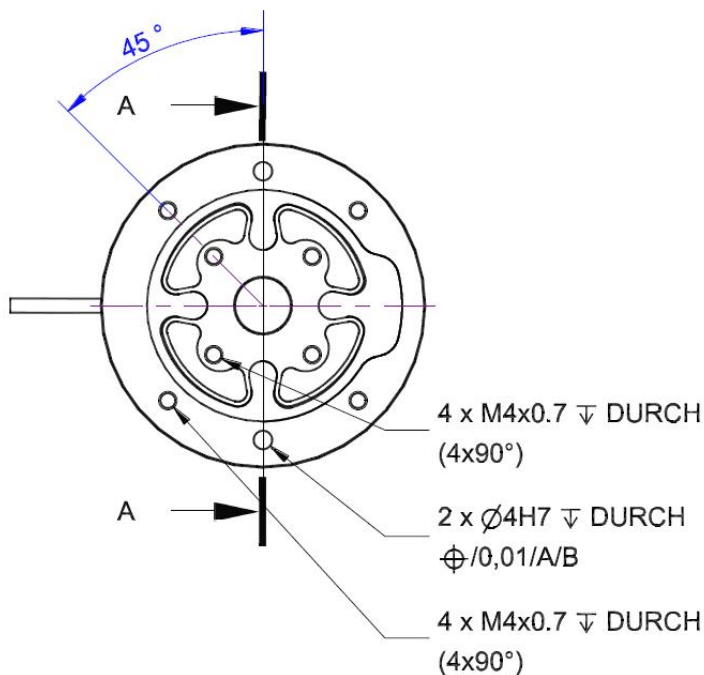
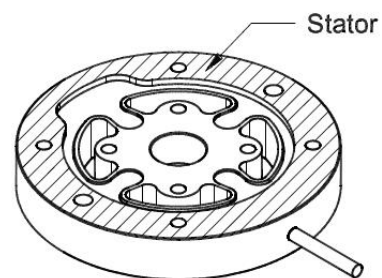
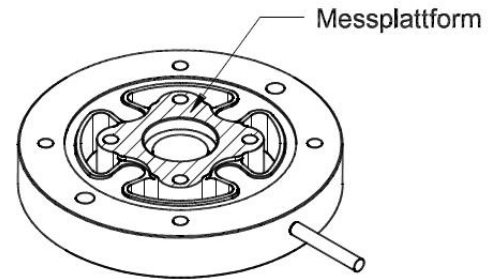
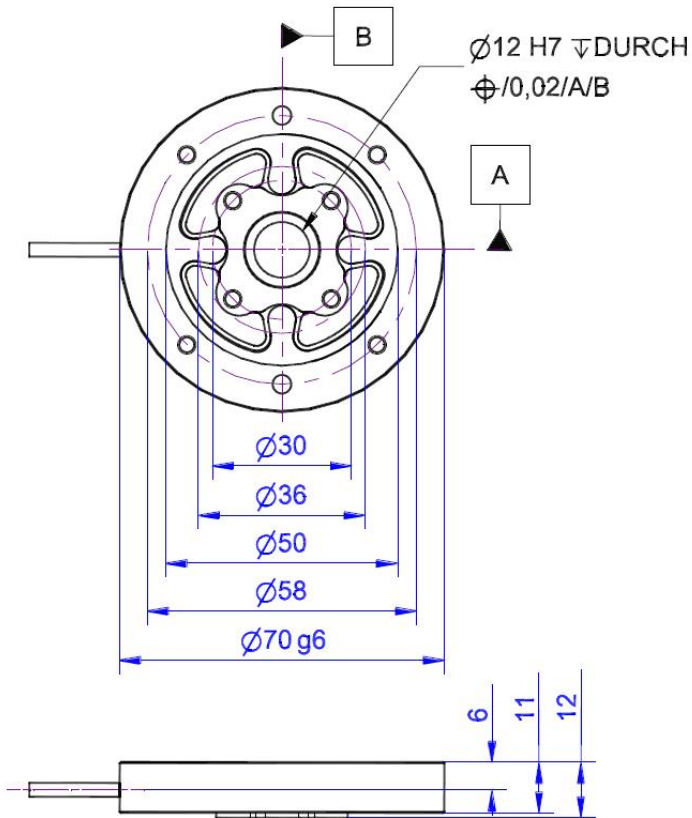


# T1-S7A

KÜLLŐS ÁLLÓ NYOMATÉKMÉRŐ

méréstartományok: 2, 5, 10 Nm



Section A-A

**Technical Data**
**Electrical Data**

Input resistance	2000	Ohm
Tolerance input resistance	20	Ohm
Output resistance	2000	Ohm
Tolerance output resistance	20	Ohm
Insulation resistance	5	GOhm
Rated range of excitation voltage f	2.5 ... 5	V
Operating range of excitation voltage f	1 ... 10	V
Zero signal	0.05	mV/V
Rated output	0.5 ... 0.9	mV/V / FS

**Precision**

Accuracy class	0.1
Relative linearity error	0.1 %FS
Relative zero signal hysteresis	0.1 %FS
Temperature effect on zero signal	0.01 %FS/K
Temperature effect on characteristic value	0.01 %RD/K
Relative creep	0.05 %FS

**Connection Data**

Connection type	4 conductor open
Name of the connection	STC
Cable length	2 m

**Temperature**

Rated temperature range f	-10 ... 60 °C
Operating temperature range f	-10 ... 85 °C
Storage temperature range f	-10 ... 85 °C
Environmental protection	IP65

**Basis Data**

Type	shear beam		
Rated torque	2	5	10 Nm
Bending moment limit	2	5	5 Nm
Maximum operating torque			150 %FS
Breaking torque			400 %FS
Rated torsion angle			0.02 °/FS
Axial force limit	100	200	200 N
Lateral force limit	100	200	200 N
Torque introduction	pitch circle		
Dimension 1	Ø30		
Dimension 2	Ø58		
Diameter	70 mm		

### Pin Configuration

Symbol	Description	Wire colour
+Us	positive bridge supply	red
-Us	negative bridge supply	black
+Ud	positive bridge output	green
-Ud	negative bridge output	white

Shield- transparent.